



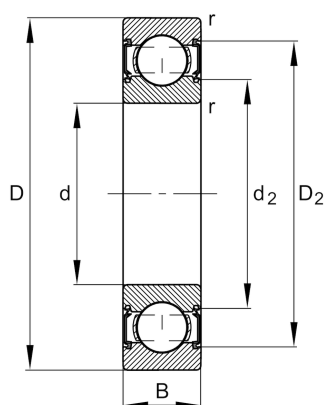
FAG

6202-C-2HRS

Deep groove ball bearing

Schaeffler ID:
0953602800000Deep groove ball bearing 62...-C-2HRS,
single row, Generation C, seals, steel
sheet metal cage

Technical information

**Dimensions**

| | | |
|------------|----------|-----------------------------|
| r_{\min} | 0.6 mm | Minimum chamfer dimension |
| D_2 | 30.9 mm | Caliber diameter outer ring |
| d_2 | 20.1 mm | Caliber diameter inner ring |
| | 0.044 kg | Weight |

Main Dimensions & Performance Data

| | | |
|----------|--------------|-----------------------------------|
| d | 15 mm | Bore diameter |
| D | 35 mm | Outside diameter |
| B | 11 mm | Width |
| C_r | 8,900 N | Basic dynamic load rating, radial |
| C_{0r} | 3,750 N | Basic static load rating, radial |
| C_{ur} | 260 N | Fatigue load limit, radial |
| n_G | 19,400 1/min | Limiting speed |

Mounting dimensions

| | | |
|-------------|---------|--------------------------------------|
| $d_{a\min}$ | 19.2 mm | Minimum diameter shaft shoulder |
| $D_{a\max}$ | 30.8 mm | Maximum diameter of housing shoulder |
| $r_{a\max}$ | 0.6 mm | Maximum fillet radius |

Calculation factors

| | | |
|-------|----|--------------------|
| f_0 | 13 | Calculation factor |
|-------|----|--------------------|

Temperature range

| | | |
|------------|--------|----------------------------|
| T_{\min} | -20 °C | Operating temperature min. |
| T_{\max} | 110 °C | Operating temperature max. |

